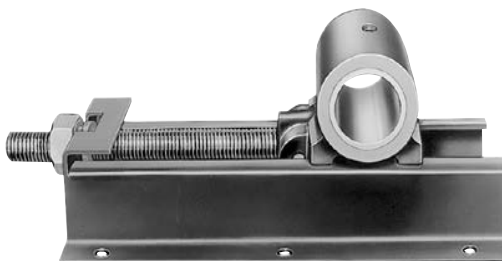




## SELECTION/DIMENSIONS

### Take-Up Bearings - Type A & B



#### TYPE A & B TAKE-UP BEARINGS (Only) TYPE A & B TAKE-UP FRAMES DISCONTINUED

Shaft Size x Travel	Type A Take-Up Bearing		
	Part Number	Description	Wt.
15/16 x 5	<b>036180</b>	TUA-015-TUBRG	2.6
1 x 5	<b>036181</b>	TUA-100-TUBRG	2.5
1-3/16 x 5	<b>036182</b>	TUA-103-TUBRG	2.3
1-1/4 x 5	<b>036183</b>	TUA-104-TUBRG	2.2
1-7/16 x 6	<b>036184</b>	TUA-107-TUBRG	3.5
1-7/16 x 12			
1-11/16 x 6	<b>036185</b>	TUA-111-TUBRG	4.1
1-11/16 x 12			
1-15/16 x 9	<b>036186</b>	TUA-115-TUBRG	6.7
1-15/16 x 18			
2-3/16 x 9	<b>036187</b>	TUA-203-TUBRG	10.1
2-3/16 x 18			
2-7/16 x 9	<b>036188</b>	TUA-207-TUBRG	8.8
2-7/16 x 18			

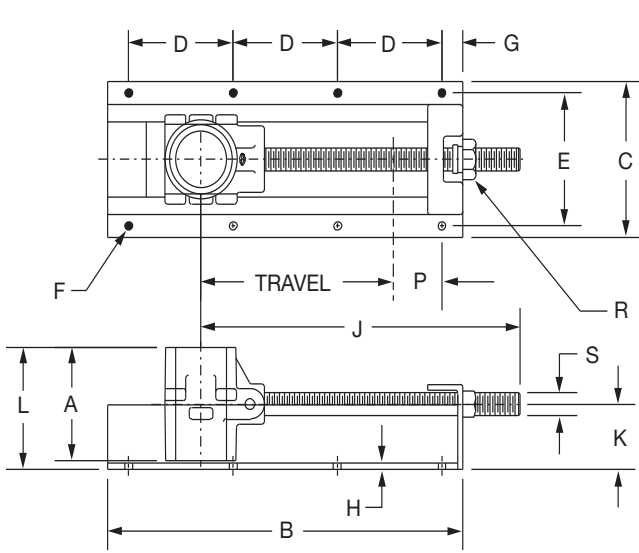
Shaft Size x Travel	Type B Take-Up Bearing		
	Part Number	Description	Wt.
15/16 x 5	<b>036270</b>	TUB-015-TUBRG	3.6
1 x 5	<b>036193</b>	TUB-100-TUBRG	3.5
1-3/16 x 5	<b>036194</b>	TUB-103-TUBRG	3.3
1-1/4 x 5	<b>036274</b>	TUB-104-TUBRG	3.2
1-7/16 x 6	<b>036196</b>	TUB-107-TUBRG	4.7
1-7/16 x 12			
1-11/16 x 6	<b>036197</b>	TUB-111-TUBRG	5.4
1-11/16 x 12			
1-15/16 x 9	<b>036198</b>	TUB-115-TUBRG	8.6
1-15/16 x 18			
2-3/16 x 9	<b>036199</b>	TUB-203-TUBRG	12.7
2-3/16 x 18			
2-7/16 x 9	<b>036200</b>	TUB-207-TUBRG	11.4
2-7/16 x 18			

FEATURES/BENEFITS PAGE B19-2	HOW TO ORDER/NOMENCLATURE PAGE B19-7	SELECTION/DIMENSIONS PAGE B19-8
---------------------------------	---	------------------------------------

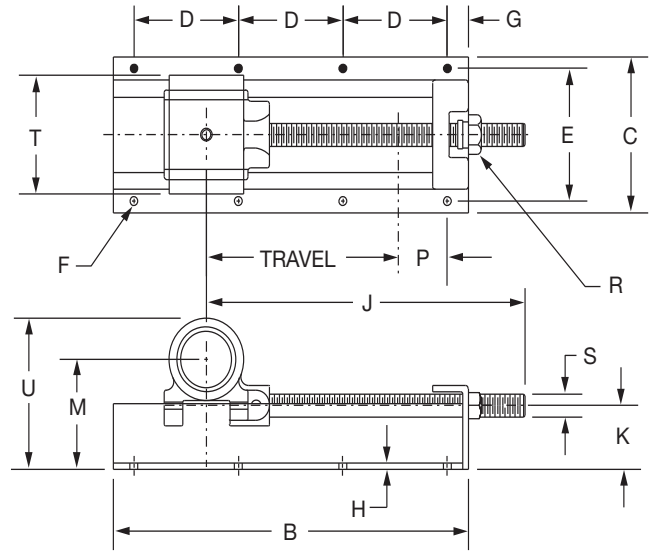


# SELECTION/DIMENSIONS

## Take-Up Bearings - Type A & B



TYPE TUA



TYPE TUB

Shaft Size x Travel	A	B	C	D	E	F Bolt		G	H	J	K
						No.	Dia.				
15/16 x 5 1 x 5 1-3/16 x 5 1- 1/4 x 5	2-5/8	9-3/4	4-3/4	3-1/2	4	6	5/16	1-3/8	1/8	8-3/4	1-5/8
1-7/16 x 6 1-7/16 x 12	3-1/8	1218	5-3/45-3/4	55-1/4	4-3/44-3/4	68	3/33/8	11	3/163/16	10-1/216-1/2	22
1-11/16 x 6 1-11/16 x 12	3-3/8	1218	5-3/45-3/4	55-1/4	4-3/44-3/4	68	3/83/8	11	3/163/16	10-1/216-1/2	22
1-15/16 x 9 1-15/16 x 18	4-1/8	1726	6-3/46-3/4	56	5-3/45-3/4	810	3/83/8	11	1/41/4	14-1/223-1/2	2-3/42-3/4
2-3/16 x 9 2-3/16 x 18	4-7/8	1726	6-3/46-3/4	56	5-3/45-3/4	810	3/83/8	11	1/41/4	14-1/223-1/2	2-3/42-3/4
2-7/16 x 9 2-7/16 x 18	4-7/8	1726	6-3/46-3/4	56	5-3/45-3/4	810	3/83/8	11	1/41/4	14-1/223-1/2	2-3/42-3/4

Shaft Size x Travel	L	M	P	R Hex.	S	T	U	Grease Cup	
								Pipe Tap	Size
15/16 x 5 1 x 5 1-3/16 x 5 1- 1/4 x 5	3	2-3/4	1-5/8	1-5/16	3/4	2-7/8	3-27/32	1/8	0
1-7/16 x 6 1-7/16 x 12	3-5/8	3-3/83-3/8	2-1/22-1/2	1-1/2	7/8	3-3/8	4-19/32	1/4	0
1-11/16 x 6 1-11/16 x 12	3-3/4	3-5/83-5/8	2-1/22-1/2	1-1/2	7/8	3-5/8	4-31/32	1/4	0
1-15/16 x 9 1-15/16 x 18	4-7/8	4-1/24-1/2	3-3/83-3/8	1-5/8	1	4-3/8	6-1/32	1/4	1
2-3/16 x 9 2-3/16 x 18	5-1/4	4-3/44-3/4	3-1/83-1/8	1-5/8	1	5-1/8	6-17/32	1/4	1
2-7/16 x 9 2-7/16 x 18	5-1/4	4-3/44-3/4	3-3/83-3/8						

FEATURES/BENEFITS PAGE B19-2	HOW TO ORDER/NOMENCLATURE PAGE B19-7	SELECTION/DIMENSIONS PAGE B19-8
---------------------------------	---	------------------------------------

Eccentric Collar Ball Bearings  
 Setscrew VSC Ball Bearing  
 Eccentric SXV Collar Ball Bearing  
 Take-Up Frames  
 Engineering  
 Part Number Index  
 Keyword Index